

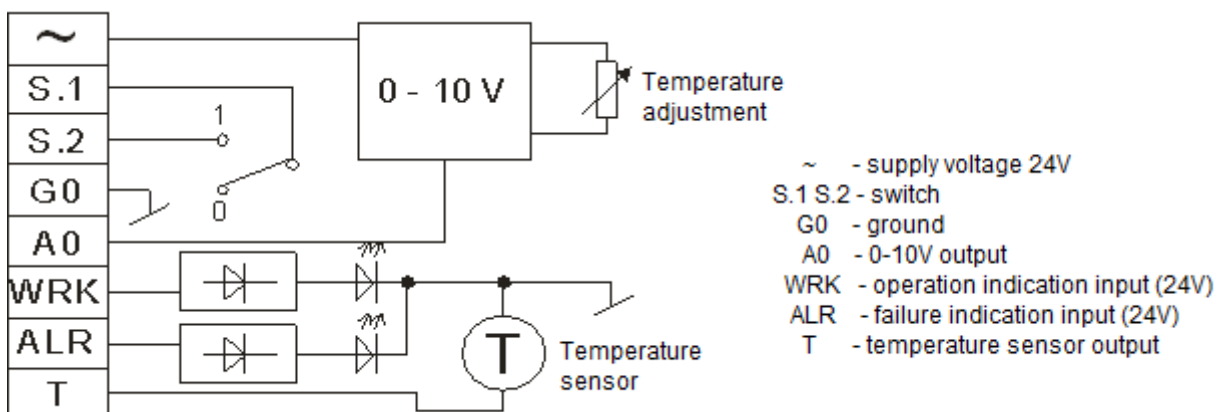
Room Terminal HMI Tiny

1. Technical details

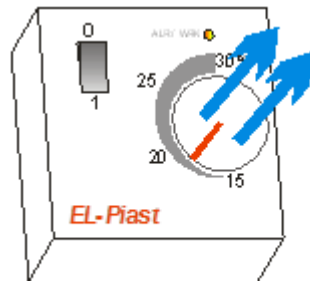


- Dimensions: 71 x 71 x 25 mm
- Supply voltage: 24 V AC/DC +/-10%
- Operating indication (input 0/24 V)
- Failure indication (input 0/24 V)
- Built-in PT1000 temperature sensor
- Power Switch – NO output
- Storage temperature: -20 – 70 °C
- Degree of protection: IP20

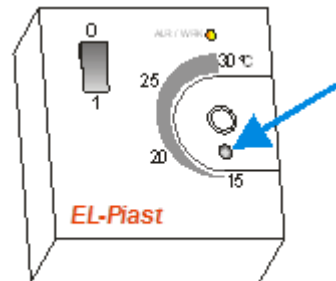
2. Scheme



3. Opening of the housing

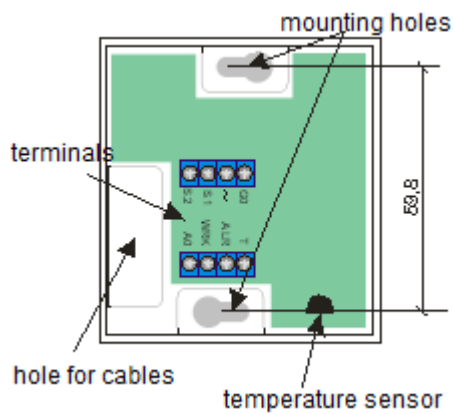


Remove the knob



Loosen the fixing screw

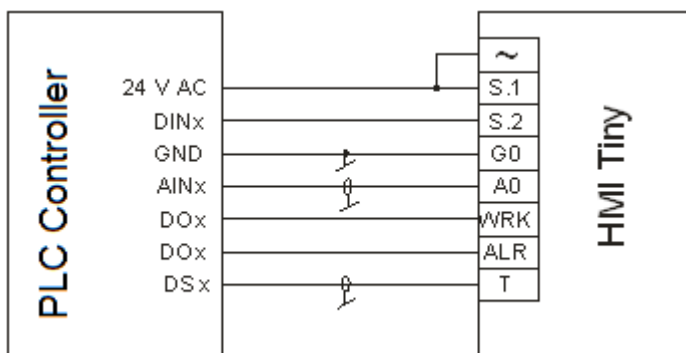
4. Wall mounting



ATTENTION!!!

Do not install near sources of heat or cold

5. Connection diagram



It is recommended to use the cables 1mm². In addition for the signals A0 and T cables should be shielded. The screen must be connected to system ground G0 (GND), should not be combined with protective conductors PE.